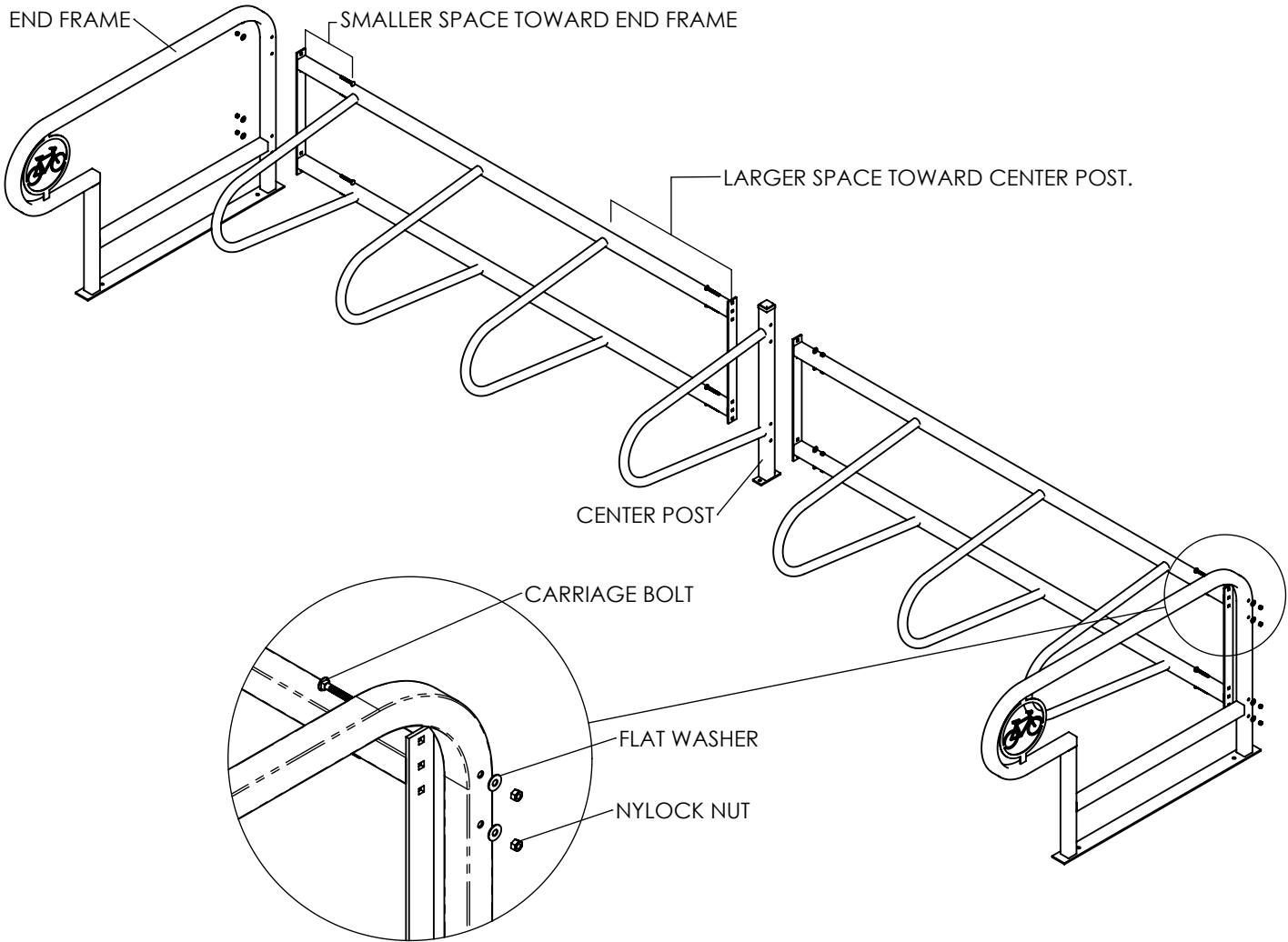




PARK PLACE ASSEMBLY INSTRUCTIONS

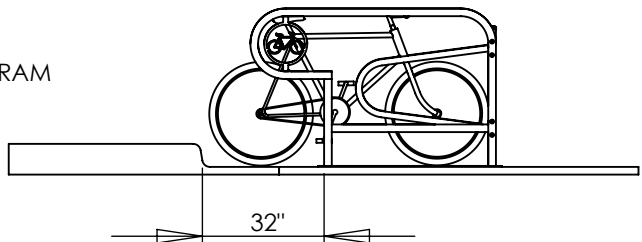


HARDWARE LIST

CARRIAGE BOLT	3/8" X 3" LONG	12
FLAT WASHER	3/8"	12
NYLOCK NUT	3/8"	12

ASSEMBLY AND INSTALLATION INSTRUCTIONS

- USING A 9/16" WRENCH ASSEMBLE THE CORRAL PER THE DIAGRAM
 - CENTER THE CORRAL IN THE PARALLEL PARKING SPACE.
 - POSITION 32 INCHES FROM THE CURB OR SIDE OF THE ROAD.
- (CONSULT LOCAL CODES FOR GUIDELINES AND RESTRICTIONS)**



PRODUCT: PPBR-14
DESCRIPTION: PARK PLACE BICYCLE CORRAL, 14 BIKE CAPACITY

DATE: 1-24-2013
ENG: BLW

CONFIDENTIAL DRAWING AND INFORMATION IS NOT TO BE COPIED OR DISCLOSED TO OTHERS WITHOUT THE CONSENT OF GRABER MANUFACTURING, INC. SPECIFICATIONS ARE SUBJECT TO CHANGE WITHOUT NOTICE.

NOTES:

1. INSTALL BIKE RACKS ACCORDING TO MANUFACTURER'S SPECIFICATIONS.
2. CONSULTANT TO SELECT COLOR(FINISH), SEE MANUFACTURER'S SPECIFICATIONS.
3. SEE SITE PLAN FOR LOCATION OR CONSULT OWNER.